

GAP Spray Gun Wand

311342B

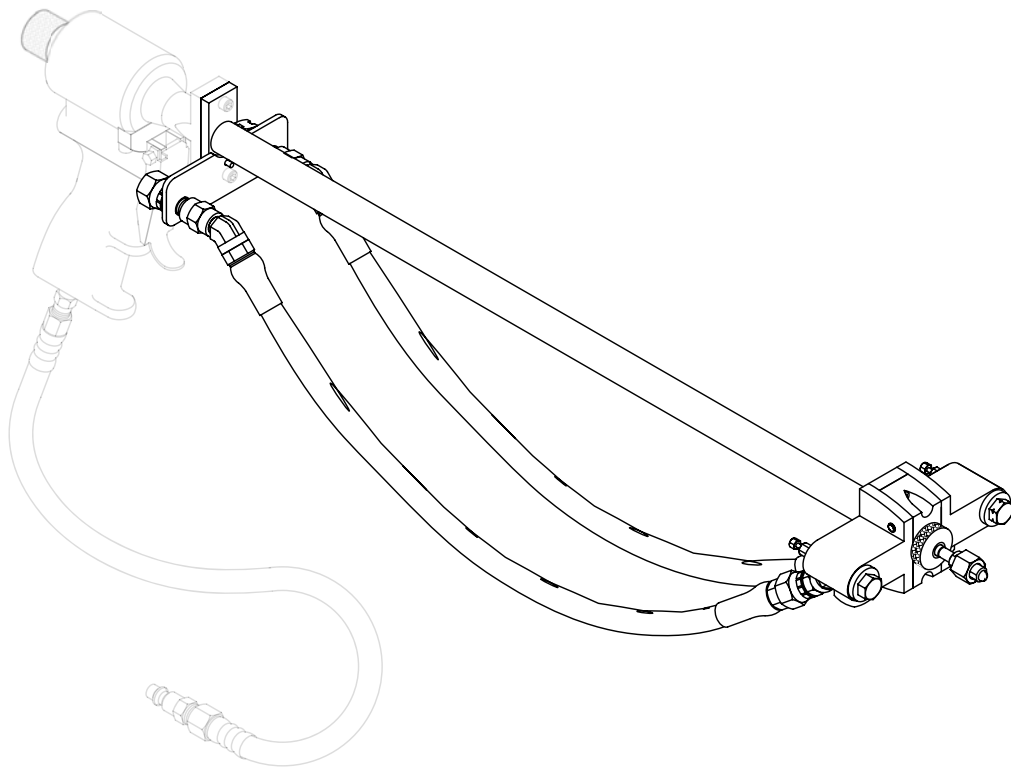
For installing wand assembly to GAP spray gun.

Part 296984



Important Safety Instructions

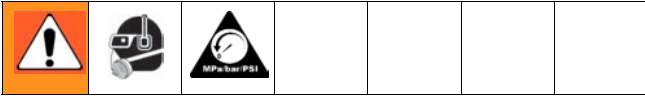
Read all warnings and instructions in the GAP spray gun manual 311322. Save these instructions.




GRACO | GUSMER


PROVEN QUALITY. LEADING TECHNOLOGY.

Installation



1. Perform Shutdown procedure. See Daily Shutdown procedure in GAP Spray Gun manual 311322.
2. Remove flat tip assembly from end of mixing chamber.
 -  If gun has round pattern spray tip, skip to Step 3.
3. Remove air cap from front of gun by turning it counterclockwise.

4. Remove side block mounting screws. Carefully separate each side block from the gun block. If side blocks stick, remove dried chemical. Wipe mating surfaces clean with rag soaked in gun cleaner.

 If side blocks require servicing, see the Side Blocks repair procedure in GAP Spray Gun manual 311322.

5. Remove the two gun block mounting screws. Slide block away from gun. If removal is difficult, remove dried chemical. Wipe mating surfaces clean with rag soaked in gun cleaner. Clean gun block with gun cleaner and brass brushes.
6. Use 3/16 in. open end wrench to hold end of piston rod. Turn mixing chamber by hand counterclockwise until it comes free. Clean mixing chamber with gun cleaner and clean-out drills. Inspect for damage and replace if necessary.

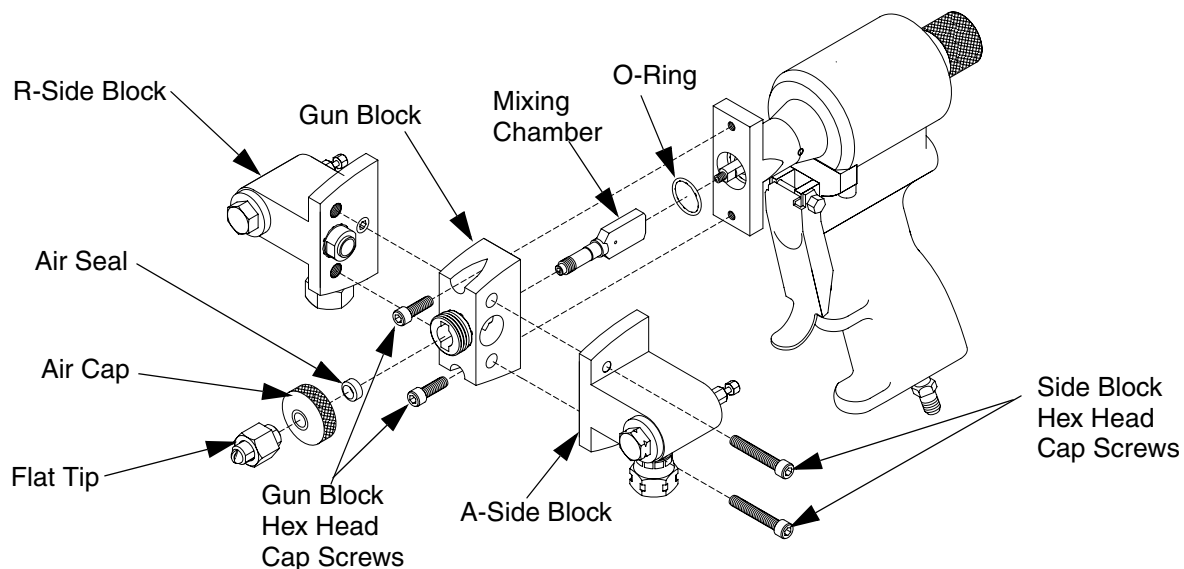


FIG. 1: Mixing Chamber and Gun Block Removal

7. Install fittings on hose bracket as shown in FIG. 2. Do not rigidly mount fittings to hose bracket.

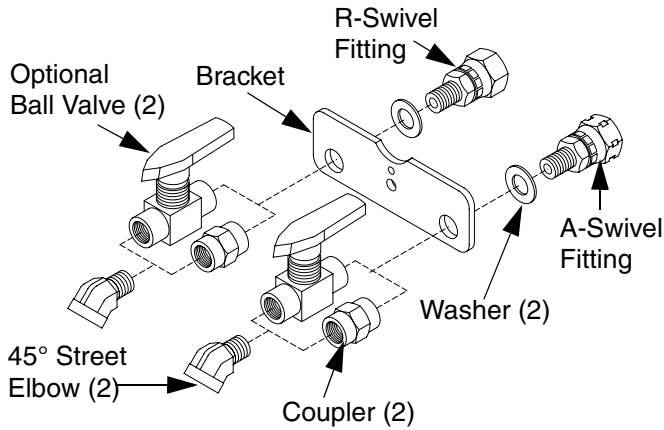


FIG. 2: Hose Bracket Fitting Installation

8. Apply removable Loctite® to threads on end of piston rod. Use 3/16 in. open end wrench to hold flat end of piston rod and thread rod

assembly onto it. Use another 3/16 in. open end wrench on flat end of rod assembly to secure it to piston rod. See FIG. 3.

9. Install tube weldment and hose bracket assembly. Verify o-ring is seated in cavity and slide tube weldment over rod assembly toward gun. Line up bracket assembly with alignment pin on tube weldment. Install mounting screws as show in FIG. 3. Tighten screws equally to prevent leakage.

10. Install o-ring in end of tube weldment. See FIG. 3.

11. Use 3/16 in. open end wrench to hold flat end of rod assembly. Thread mixing chamber onto end of rod assembly by hand until tight. See FIG. 3.

12. Slide gun block over mixing chamber toward gun. Install gun block mounting screws. Tighten screws equally to prevent leakage. See FIG. 3.

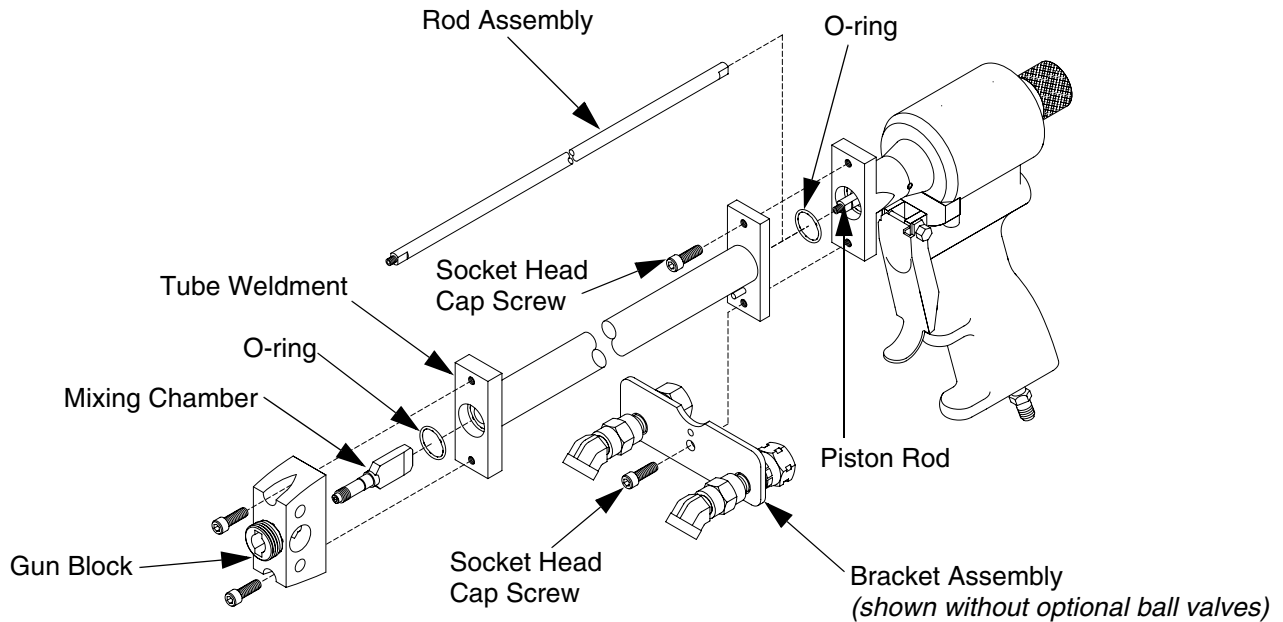


FIG. 3: Hose Bracket Fitting Installation

13. Remove swivel fittings from side blocks. If using optional ball valves, remove manual valve assemblies.
14. Install fittings on side block as shown in FIG. 4. If using optional ball valves, install optional plugs.

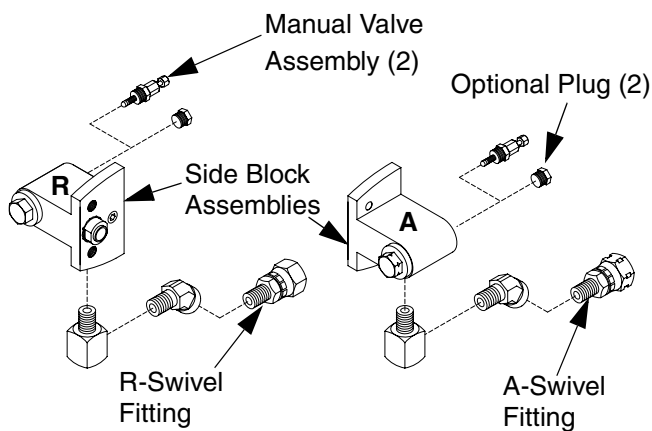


FIG. 4: Side Block Fitting Installation

15. Reinstall side blocks on gun block. Secure A and R side block to gun block. Tighten screws equally to prevent leakage.

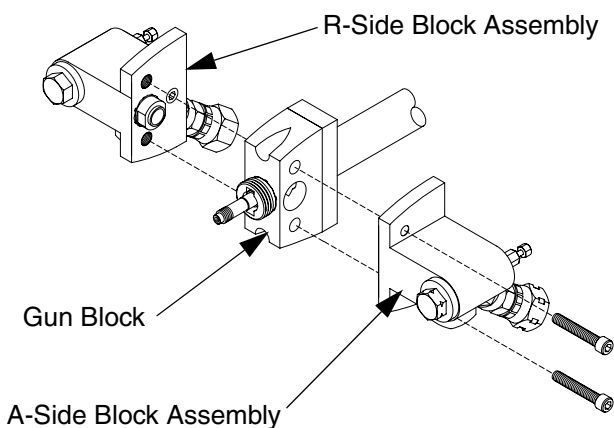


FIG. 5: Side Block Installation

16. Install Iso hose assembly and Resin hose assembly between A and R fittings on side blocks and hose bracket assembly as shown in FIG. 6.

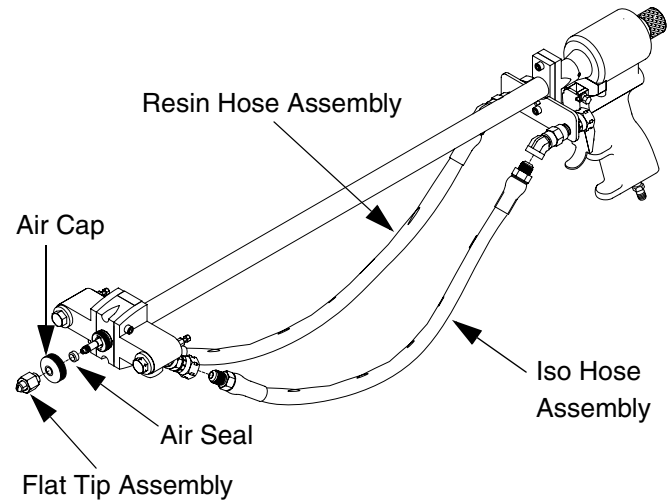



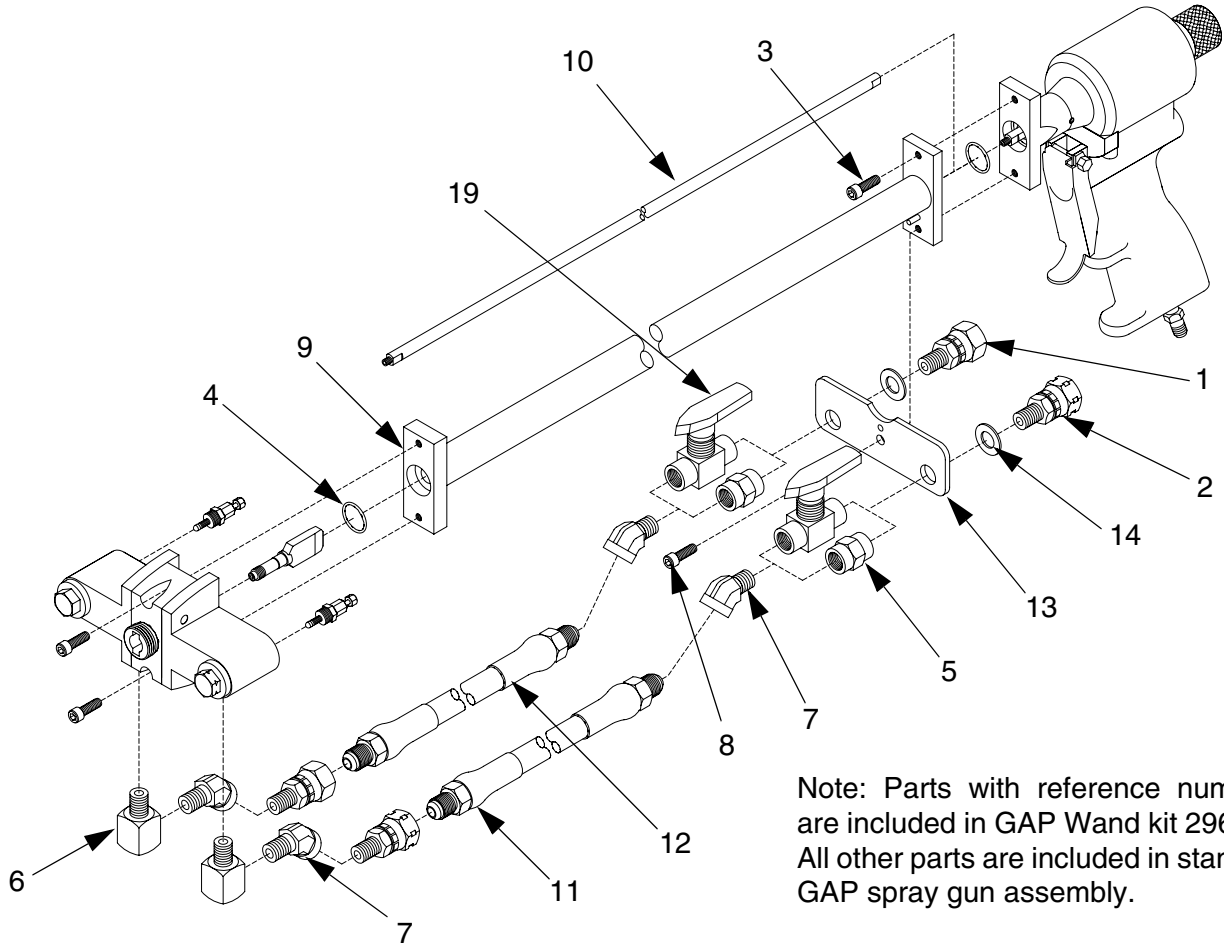
FIG. 6: Hose and Spray Tip Installation

17. Reinstall flat spray tip assembly (if necessary).

 If gun has round spray pattern tip, skip step 17 and proceed to step 18.

18. Perform start-up procedure. See Daily Start-Up procedure section of GAP Spray Gun manual 311322.

Parts




Note: Parts with reference numbers are included in GAP Wand kit 296984. All other parts are included in standard GAP spray gun assembly.

FIG. 7: GAP Wand Assembly 296984

Ref.	Part	Description	Qty.	Ref.	Part	Description	Qty.
1	117634	SWIVEL, union; #6 JIC x 1/8 npt	1	11	297094	HOSE, iso	1
2	117635	SWIVEL, union; #5 JIC x 1/8	1	12	297095	HOSE, resin	1
3	295684	SCREW, cap, socket head	1	13	297091	BRACKET, hose	1
4	115719	PACKING, o-ring; fluoroelastomer	1	14	297092	WASHER	2
5	297097	FITTING, coupler; 1/8 npt	2	19	296972	VALVE, ball; 1/8 npt (optional)	2
6	297085	FITTING, elbow; 1/8 npt	2				
7	295389	FITTING, elbow, street; 1/8 in., 45-deg.	4				
8	C20004	SCREW, cap	1				
9	297086	TUBE, weldment	1				
10	297100	ROD, assy	1				

Technical Data

Loctite® is a registered trademark of the Loctite Corp.

 Extension wetted components: steel, brass, SST.
Hose components: nylon, steel.

Graco Standard Warranty

Graco warrants all equipment referenced in this document which is manufactured by Graco and bearing its name to be free from defects in material and workmanship on the date of sale to the original purchaser for use. With the exception of any special, extended, or limited warranty published by Graco, Graco will, for a period of twelve months from the date of sale, repair or replace any part of the equipment determined by Graco to be defective. This warranty applies only when the equipment is installed, operated and maintained in accordance with Graco's written recommendations.

This warranty does not cover, and Graco shall not be liable for general wear and tear, or any malfunction, damage or wear caused by faulty installation, misapplication, abrasion, corrosion, inadequate or improper maintenance, negligence, accident, tampering, or substitution of non-Graco component parts. Nor shall Graco be liable for malfunction, damage or wear caused by the incompatibility of Graco equipment with structures, accessories, equipment or materials not supplied by Graco, or the improper design, manufacture, installation, operation or maintenance of structures, accessories, equipment or materials not supplied by Graco.

This warranty is conditioned upon the prepaid return of the equipment claimed to be defective to an authorized Graco distributor for verification of the claimed defect. If the claimed defect is verified, Graco will repair or replace free of charge any defective parts. The equipment will be returned to the original purchaser transportation prepaid. If inspection of the equipment does not disclose any defect in material or workmanship, repairs will be made at a reasonable charge, which charges may include the costs of parts, labor, and transportation.

THIS WARRANTY IS EXCLUSIVE, AND IS IN LIEU OF ANY OTHER WARRANTIES, EXPRESS OR IMPLIED, INCLUDING BUT NOT LIMITED TO WARRANTY OF MERCHANTABILITY OR WARRANTY OF FITNESS FOR A PARTICULAR PURPOSE.

Graco's sole obligation and buyer's sole remedy for any breach of warranty shall be as set forth above. The buyer agrees that no other remedy (including, but not limited to, incidental or consequential damages for lost profits, lost sales, injury to person or property, or any other incidental or consequential loss) shall be available. Any action for breach of warranty must be brought within two (2) years of the date of sale.

GRACO MAKES NO WARRANTY, AND DISCLAIMS ALL IMPLIED WARRANTIES OF MERCHANTABILITY AND FITNESS FOR A PARTICULAR PURPOSE, IN CONNECTION WITH ACCESSORIES, EQUIPMENT, MATERIALS OR COMPONENTS SOLD BUT NOT MANUFACTURED BY GRACO. These items sold, but not manufactured by Graco (such as electric motors, switches, hose, etc.), are subject to the warranty, if any, of their manufacturer. Graco will provide purchaser with reasonable assistance in making any claim for breach of these warranties.

In no event will Graco be liable for indirect, incidental, special or consequential damages resulting from Graco supplying equipment hereunder, or the furnishing, performance, or use of any products or other goods sold hereto, whether due to a breach of contract, breach of warranty, the negligence of Graco, or otherwise.

FOR GRACO CANADA CUSTOMERS

The Parties acknowledge that they have required that the present document, as well as all documents, notices and legal proceedings entered into, given or instituted pursuant hereto or relating directly or indirectly hereto, be drawn up in English. Les parties reconnaissent avoir convenu que la rédaction du présente document sera en Anglais, ainsi que tous documents, avis et procédures judiciaires exécutés, donnés ou intentés, à la suite de ou en rapport, directement ou indirectement, avec les procédures concernées.

Graco Information

TO PLACE AN ORDER, contact your Graco distributor or call to identify the nearest distributor.

Phone: 612-623-6921 **or Toll Free:** 1-800-328-0211 **Fax:** 612-378-3505

*All written and visual data contained in this document reflects the latest product information available at the time of publication.
Graco reserves the right to make changes at any time without notice.*

MM 311342B This manual contains English.

Graco Headquarters: Minneapolis

International Offices: Belgium, China, Japan, Korea

GRACO INC. P.O. BOX 1441 MINNEAPOLIS, MN 55440-1441

www.graco.com

311342B

Rev. 1/2008